



—özdöken—

WEED CONTROL

05

PRODUCT RANGE

06
ACM SERIES

ROW UNITS - FRAME - FERTILIZER

08
ACM-SF SERIES

ROW UNITS - WORKING BODIES - FRAME - FERTILIZER

11
ACM

FIXED FRAME

12
ACM-K

FOLDABLE FRAME

13
ACM-KG

FOLDABLE FRAME

14
ROTOKUL

SOIL CLUSTER

15
ACM-SF

45-50 CM ROW SPACE

16
ACM-SF

70-75 CM ROW SPACE

17

TECHNICAL SPECIFICATIONS

==özdöken==

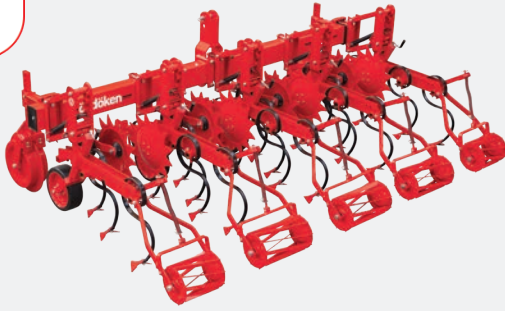
INDEX

—özdöken—

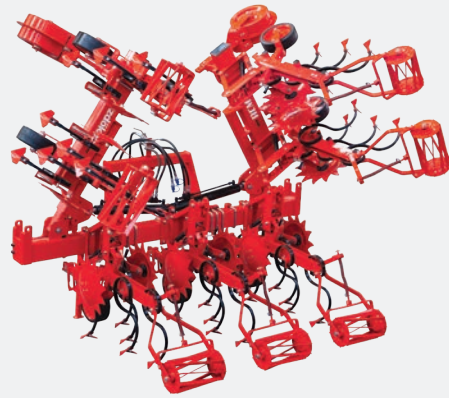


PRODUCT RANGE

MECHANICAL
ROW CROP
CULTIVATOR



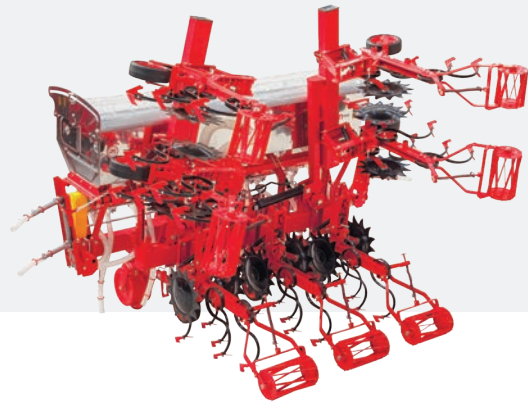
ACM
WITHOUT FERTILIZER



ACM-K



ACM-G
WITH FERTILIZER



ACM-KG

ROTARY
ROW CROP
CULTIVATOR



ACM-SFG
WITH FERTILIZER



ACM-SF
WITHOUT FERTILIZER

SOIL
CLUSTER



ROTOKUL-620



1 PARALLEL LINKAGE

Parallel linkage is mounted on replaceable metallic bushes which has high clearance. 3 steps adjustable down pressure spring is standart.



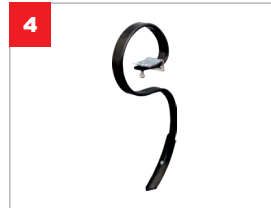
2 DEPTH CONTROL WHEEL

Standartly, row units have 300 mm rubber depth adjustment wheel.



3 SIMPLE ADJUSTMENT ON WHEELS

Easy adjustment on working depths from 2 cm to 12 cm.



4 SPRING TINES

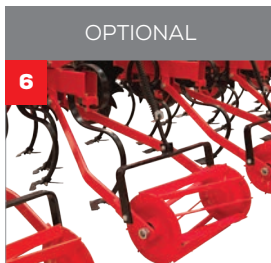
High quality spring tines made from spring steel.



OPTIONAL

5 PROTECTION DISCS

Removable crop protection discs are optional.



OPTIONAL

6 ROLLER

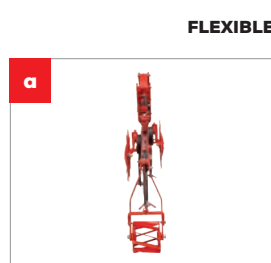
Rollers are mounted with reinforced bearings.



OPTIONAL

RIDGER

Fixed or adjustable ridger can be chosen according to crop type.



FLEXIBLE ROW SPACES



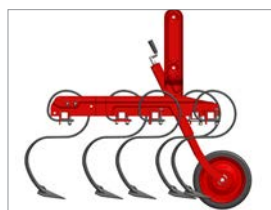
45 - 50 CM ROW SPACE
3 TINES PER ROW UNIT



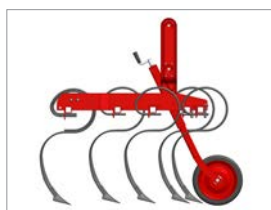
70 - 95 CM ROW SPACE
5 TINES PER ROW UNIT

Row spaces and number of tines can easily change on row unit.

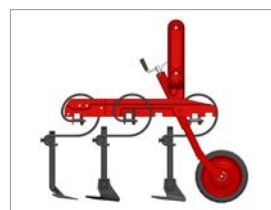
ROW UNIT VERSIONS



32x10 TINES



45x12 TINES



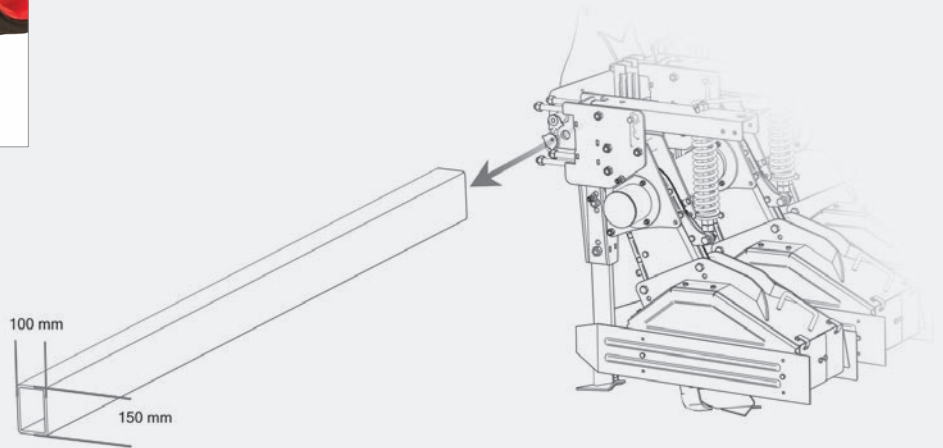
32x12 TINES WEEDER TINE

FRAME



GUIDING WHEELS

Iron wheels help the machine to follow tractor perfectly. Wide dimension create perfect contact on soil and help optimum depth adjustment.



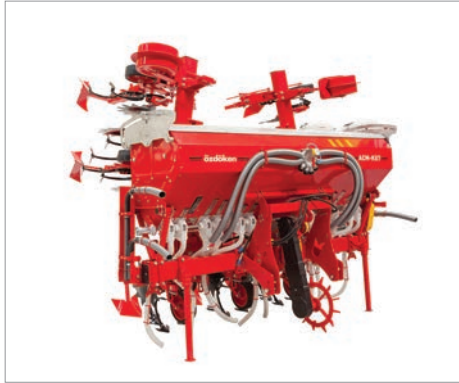
ROBUST FRAME

150X100 frame gives robustness even on big models of ACM series.

FERTILIZER

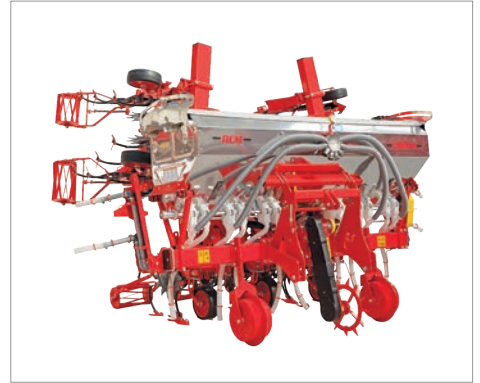


POLYTHEN FERTILIZER HOPPER



METAL JUMBO FERTILIZER HOPPER

Available on metal or stainless steel.



INOX JUMBO FERTILIZER HOPPER

Available on metal or stainless steel.



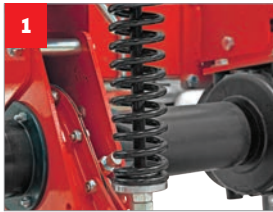
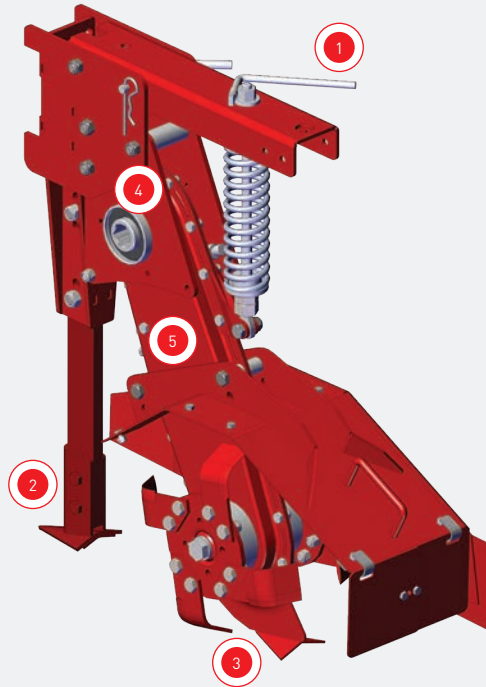
How Its Work ?

Fertilizer dosage system is designed especially for easy adjustment and simple access to points. Just adjust flow rate(b) according to output that you would like and it's ready to use. Fluted rollers(a) is made by aluminium to protect from corrosion.



FERTILIZER WHEEL

Central fertilizer wheel protect crops any damages unlike side fertilizer wheel. Moreover, it's easy to follow wheel during working.



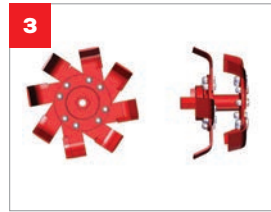
1 **PRESSURE ADJUSTMENT**

Easy to adjust pressure of the row units.



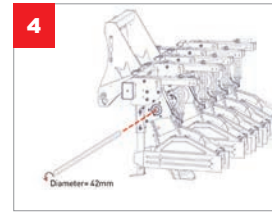
2 **CHISEL TINES**

Each row unit has equipped with cultivator tines which loosen the soil before the row unit's cultivation.



3 **BLADE SETTLEMENT**

Small distance and perfect settlement between blades make perfect cultivation between crops.



4 **TRANSMISSION SHAFT**

42 mm Hexagonal shaft is robust even on 9 rows model.



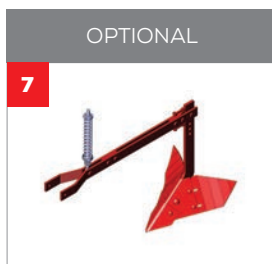
5 **CHAIN BOX**

To Access chain box is simple and easy to maintenance.



6 **CE SAFETY REGULATION**

Removable crop protection discs are standart.



OPTIONAL

7 **RIDGER**

Fixed or adjustable ridger can be chosen according to crop type.



OPTIONAL

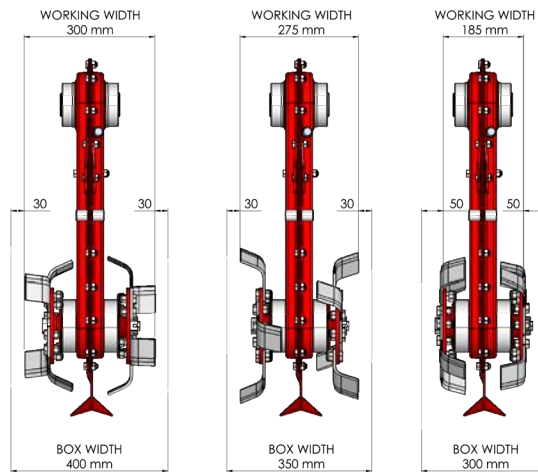
8 **DOUBLE DISC FERTILIZER OPENER**



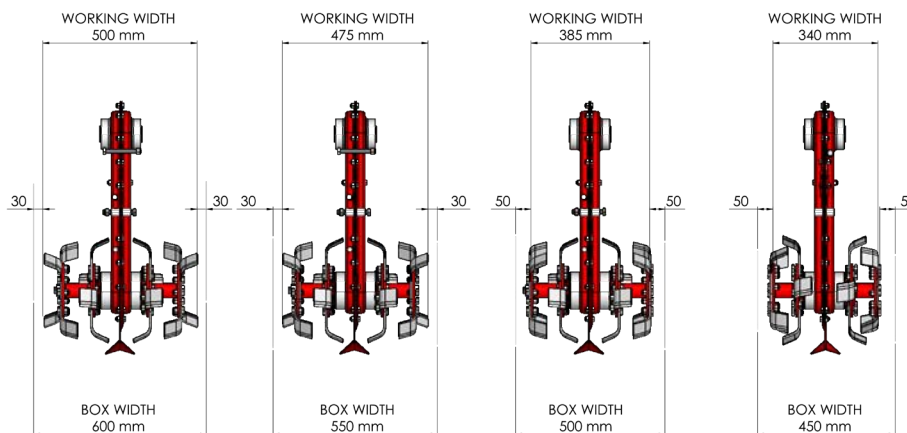
9 **GEARBOX**

WORKING BODIES

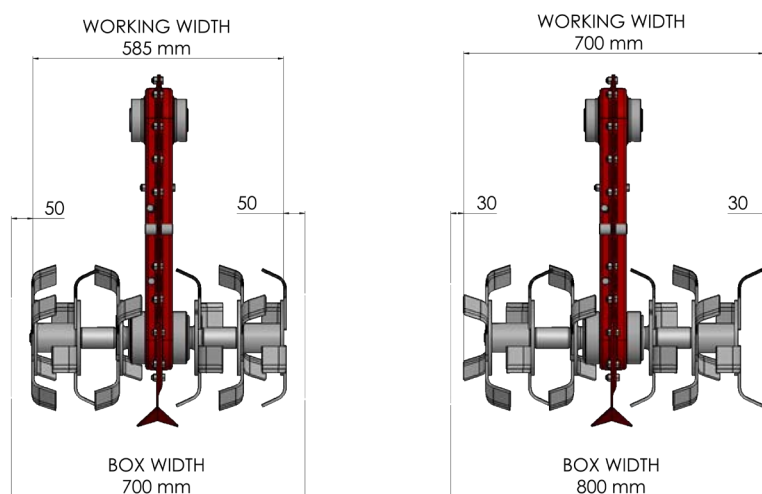
SINGLE BLADE WORKING BODIES



DOUBLE BLADE WORKING BODIES



TRIPLE BLADE WORKING BODIES

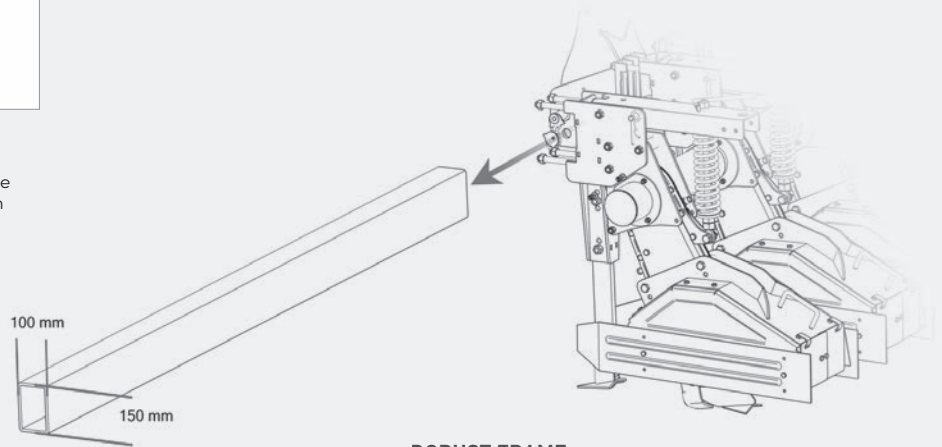


FRAME



GUIDING WHEELS

Iron wheels help the machine to follow tractor perfectly. Wide dimension create perfect contact on soil and help optimum depth adjustment.



ROBUST FRAME

150X100 frame gives robustness even on big models of ACM series.

FERTILIZER

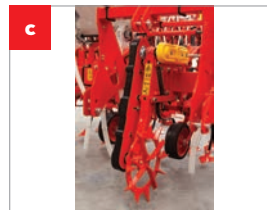


POLYTHEN FERTILIZER HOPPER



How Its Work ?

Fertilizer dosage system is designed especially for easy adjustment and simple access to points. Just adjust flow rate(b) according to output that you would like and it's ready to use. Fluted rollers(a) is made by aluminium to protect from corrosion.



FERTILIZER WHEEL

Central fertilizer wheel protect crops any damages unlike side fertilizer wheel. Moreover, it's easy to follow wheel during working.



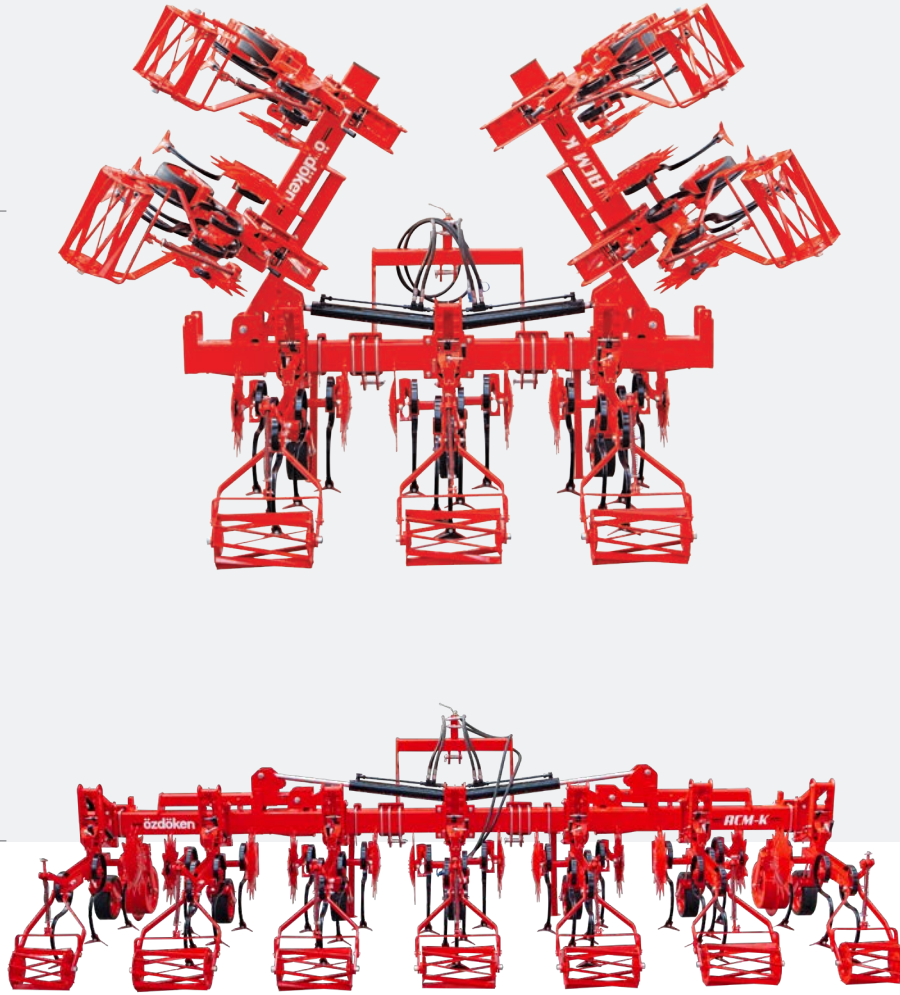
STANDARDS

- Tine Dimension 32 x10
- 150x100 Single Frame
- Available 3 Tines (45-50 cm) or 5 Tines (70-95 cm) Per Row Unit
- 1 Set of Free Blade

9 & 13 ROWS
45-50
cm

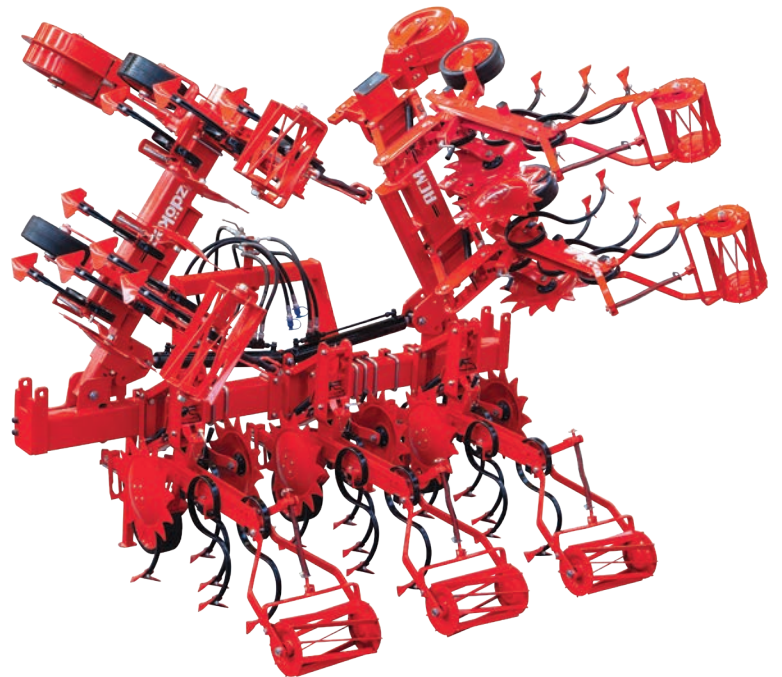
7 & 9 ROWS
70-75
cm

TRANSPORT
WIDTH
300
cm

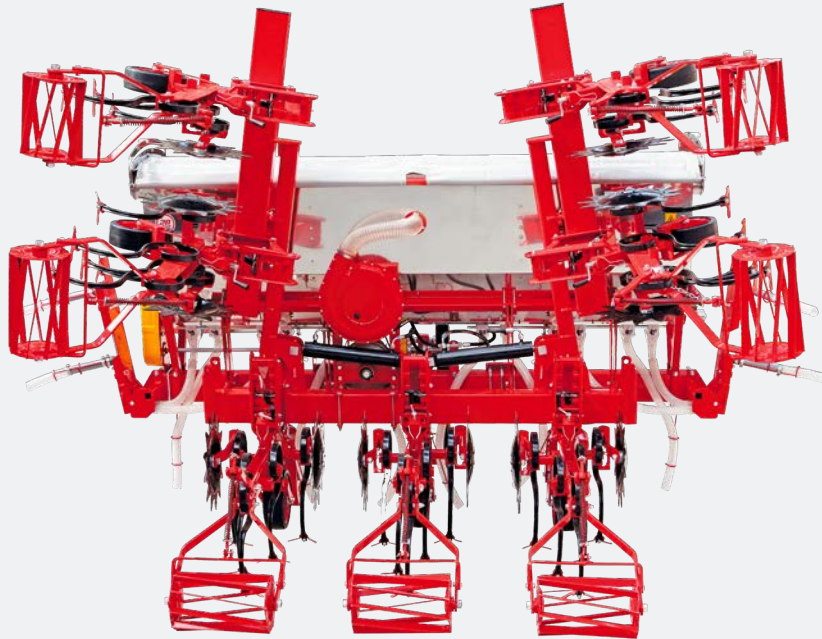


STANDARDS

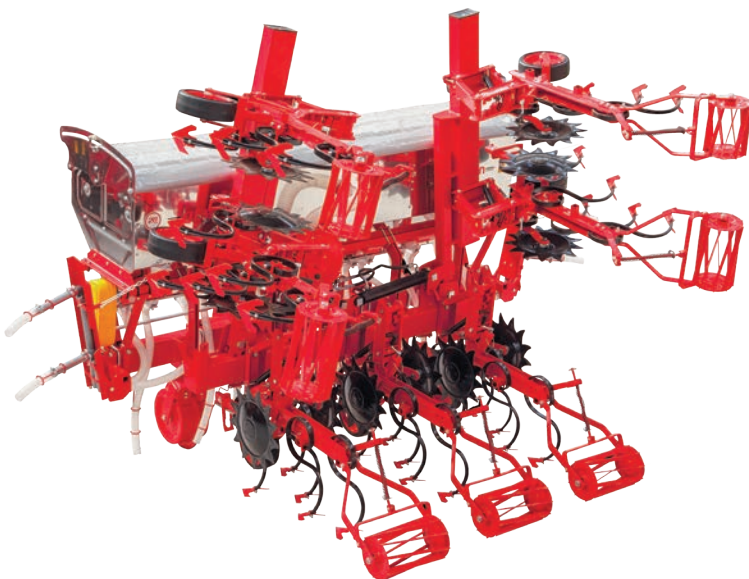
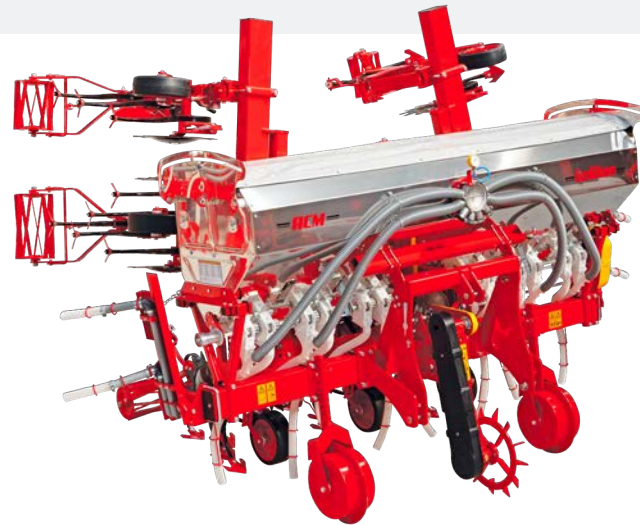
- 300 cm Transport Width
- Tine Dimension 32 x10
- 150x100 Single Frame
- Available 3 Tines (45-50 cm) or 5 Tines (70-75 cm) Per Row Unit
- 1 Set of Free Blade



7 & 9 ROWS
70-75
cm



TRANSPORT
WIDTH
300
cm



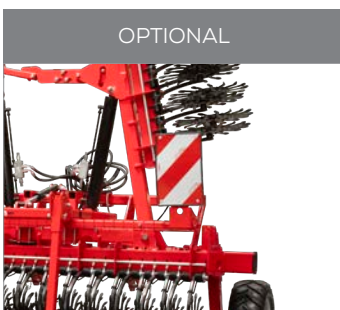
STANDARDS

- Tine Dimension 32 x10
- 150x100 Double Frame
- 5 Tines (70-75 cm) Per Row Unit
- Metal Jumbo Fertilizer Hopper
- 1 Set of Free Blade



STANDARDS

- 150X100 DOUBLE FRAME
- 2 ROWS OF STARS
- SPRING HOLDERS FOR STAR ARMS
- Ø 540 MM STAR WITH 16 PCS EXCHANGEABLE BLADES
- PARKING SUPPORT
- TRACTOR CABIN PROTECTION COVER



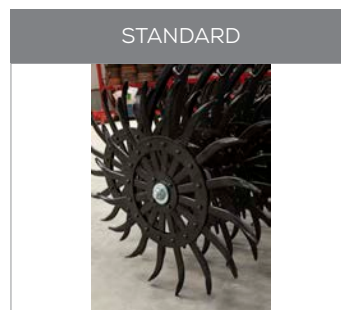
OPTIONAL

TRAFFIC KIT



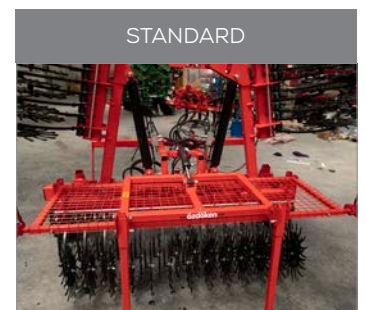
STANDARD

MECHANICAL SAFETY - TRANSPORT SAFETY LOCK ON WINGS



STANDARD

STARS - Ø 540 MM STAR WITH 16 PCS EXCHANGEABLE BLADES



STANDARD

TRACTOR CABIN PROTECTION



STANDARD

SUPPORT WHEELS



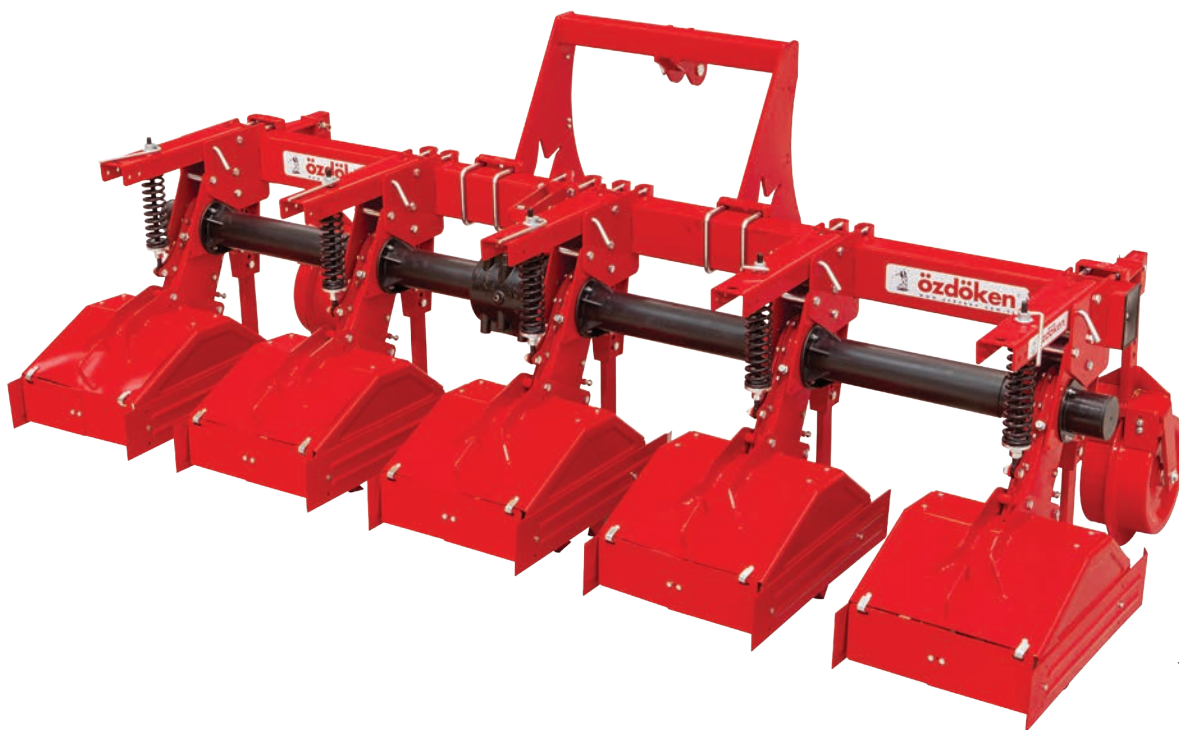
STANDARD

150X100 DOUBLE FRAME



STANDARDS

- 150x100 Single Frame
- Single Blade Set
- Fixed Frame
- Suitable For Ce Safety Regulations



STANDARDS

- 150x100 Single Frame
- Double Blade Set
- Fixed Frame
- Suitable For Ce Safety Regulations

TECHNICAL SPECIFICATIONS

MODELS	NO OF ROW UNITS	ROW SPACE (CM)	NO OF TINES PER ROW UNIT	TRANSPORT WIDTH (CM)	MINIMUM WEIGHT	POWER REQUIREMENT		POLYTHEN FERTILIZER HOPPER	METAL OR INOX FERTILIZER HOPPER	JUMBO OR METAL FERTILIZER HOPPER
						Hp	Kw			
ACM-6	4 COMPLETE 2 HALF	45-50	3	300 CM	590 KG	50-70	37-52	-	-	-
ACM-G6	4 COMPLETE 2 HALF	45-50	3	300 CM	840 KG	60-80	45-60	180 LT X 2	200 LT X 2	-
ACM-7	5 COMPLETE 2 HALF	45-50	3	300 CM	665 KG	50-70	37-52	-	-	-
ACM-G7	5 COMPLETE 2 HALF	45	3	300 CM	950 KG	60-80	45-60	180 LT X 2	200 LT X 2	1000 LT X 1
ACM-G7	5 COMPLETE 2 HALF	50	3	330 CM	950 KG	60-80	45-60	180 LT X 2	200 LT X 2	1000 LT X 1
ACM-9	7 COMPLETE 2 HALF	45-50	3	400 CM	975 KG	70-90	52-67	-	-	-
ACM-G9	7 COMPLETE 2 HALF	45	3	400 CM	1300 KG	80-120	60-90	180 LT X 4	200 LT X 4	-
ACM-G9	7 COMPLETE 2 HALF	50	3	450 CM	1300 KG	80-120	60-90	180 LT X 4	200 LT X 4	-
ACM-13	11 COMPLETE 2 HALF	45-50	3	600 CM	1500 KG	110-130	82-97	-	-	-

MODELS	NO OF ROW UNITS	ROW SPACE (CM)	NO OF TINES PER ROW UNIT	TRANSPORT WIDTH (CM)	MINIMUM WEIGHT	POWER REQUIREMENT		POLYTHEN FERTILIZER HOPPER	METAL OR INOX FERTILIZER HOPPER	JUMBO OR METAL FERTILIZER HOPPER
						Hp	Kw			
ACM-5	3 COMPLETE 2 HALF	70	5	300 CM	560 KG	50-70	37-52	-	-	-
ACM-G5	3 COMPLETE 2 HALF	70	5	300 CM	770 KG	60-80	45-60	180 LT X 2	200 LT X 2	1000 LT X 1
ACM-5	3 COMPLETE 2 HALF	75	5	330 CM	560 KG	50-70	37-52	-	-	-
ACM-G5	3 COMPLETE 2 HALF	75	5	330 CM	770 KG	60-80	45-60	180 LT X 2	200 LT X 2	1000 LT X 1
ACM-5	3 COMPLETE 2 HALF	80	5	350 CM	560 KG	50-70	37-52	-	-	-
ACM-G5	3 COMPLETE 2 HALF	80	5	350 CM	770 KG	60-80	45-60	230 LT X 2	250 LT X 2	-
ACM-5	3 COMPLETE 2 HALF	90	5	400 CM	620 KG	50-70	37-52	-	-	-
ACM-G5	3 COMPLETE 2 HALF	90	5	400 CM	820 KG	60-80	45-60	280 LT X 2	400 LT X 2	-
ACM-6	4 COMPLETE 2 HALF	70	5	380 CM	640 KG	50-70	37-52	-	-	-
ACM-G6	4 COMPLETE 2 HALF	70	5	380 CM	840 KG	60-80	45-60	230 LT X 2	250 LT X 2	-
ACM-7	5 COMPLETE 2 HALF	70	5	430 CM	760 KG	60-80	45-60	-	-	-
ACM-G7	5 COMPLETE 2 HALF	70	5	430 CM	1020 KG	70-100	52-75	280 LT X 2	400 LT X 2	-
ACM-7	5 COMPLETE 2 HALF	75	5	480 CM	760 KG	60-80	45-60	-	-	-
ACM-G7	5 COMPLETE 2 HALF	75	5	480 CM	1020 KG	70-100	52-75	280 LT X 2	400 LT X 2	-
ACM-7	5 COMPLETE 2 HALF	90	5	570 CM	890 KG	70-90	52-67	-	-	-
ACM-G7	5 COMPLETE 2 HALF	90	5	570 CM	1200 KG	80-110	60-82	180 LT X 4	200 LT X 4	-
ACM-9	7 COMPLETE 2 HALF	70	5	600 CM	1050 KG	80-110	60-82	-	-	-
ACM-G9	7 COMPLETE 2 HALF	70	5	600 CM	1550 KG	110-140	82-105	230 LT X 4	250 LT X 2	-

MODELS	NO OF ROW UNITS	ROW SPACE (CM)	NO OF TINES PER ROW UNIT	TRANSPORT WIDTH (CM)	MINIMUM WEIGHT	POWER REQUIREMENT		POLYTHEN FERTILIZER HOPPER	METAL OR INOX FERTILIZER HOPPER	JUMBO OR METAL FERTILIZER HOPPER
						Hp	Kw			
ACM-K9	7 COMPLETE 2 HALF	45-50	3	300 CM	1200 KG	70-100	52-75	-	-	-
ACM-K13	11 COMPLETE 2 HALF	45-50	3	300 CM	1550 KG	90-130	67-97	-	-	-

TECHNICAL SPECIFICATIONS

MODELS	NO OF ROW UNITS	ROW SPACE (CM)	NO OF TINES PER ROW UNIT	TRANSPORT WIDTH (CM)	MINIMUM WEIGHT	POWER REQUIREMENT		POLYTHEN FERTILIZER HOPPER	METAL OR INOX FERTILIZER HOPPER	JUMBO OR METAL FERTILIZER HOPPER
						Hp	Kw			
ACM-K7	5 COMPLETE 2 HALF	70/75	5	300 CM	1040 KG	80-110	60-82	-	-	-
ACM-KG7	5 COMPLETE 2 HALF	70/75	5	300 CM	1450 KG	90-120	67-90	-	-	1000 LT
ACM-K9	5 COMPLETE 2 HALF	70/75	5	300 CM	1260 KG	90-120	67-90	-	-	-
ACM-KG9	5 COMPLETE 2 HALF	70/75	5	300 CM	1650 KG	100-130	75-97	-	-	1000 LT

MODELS	NO OF ROW UNITS	ROW SPACE	WORKING BODY SIZE	NUMBER OF BLADE PER ROW UNIT	WORKING DEPTH	TRANSPORT WIDTH	MINIMUM WEIGHT	POWER REQUIREMENT		POLYTHEN FERTILIZER HOPPER	METAL OR INOX FERTILIZER HOPPER
								hp	kW		
	pcs	cm	cm	pcs	cm	cm	kg	hp	kW	lt	lt
ACM-SF6	4 COMPLETE 2 HALF ROW UNIT	45	30 CM	8	10 CM	250 CM	840 KG	50-70	37-52	-	-
ACM-SFG6	4 COMPLETE 2 HALF ROW UNIT	45	30 CM	8	10 CM	300 CM	1040 KG	60-80	44-60	180 LT X 2	200 LT X 2
ACM-SF6	4 COMPLETE 2 HALF ROW UNIT	50	30 CM	8	10 CM	280 CM	840 KG	50-70	37-52	-	-
ACM-SFG6	4 COMPLETE 2 HALF ROW UNIT	50	30 CM	8	10 CM	300 CM	1040 KG	60-80	44-60	180 LT X 2	200 LT X 2
ACM-SF7	5 COMPLETE 2 HALF ROW UNIT	45	30 CM	8	10 CM	300 CM	950 KG	70-90	52-67	-	-
ACM-SFG7	5 COMPLETE 2 HALF ROW UNIT	45	30 CM	8	10 CM	330 CM	1180 KG	80-100	60-74	180 LT X 2	200 LT X 2
ACM-SF7	5 COMPLETE 2 HALF ROW UNIT	50	30 CM	8	10 CM	330 CM	950 KG	70-90	52-67	-	-
ACM-SFG7	5 COMPLETE 2 HALF ROW UNIT	50	30 CM	8	10 CM	360 CM	1180 KG	80-100	60-74	180 LT X 2	200 LT X 2

MODELS	NO OF ROW UNITS	ROW SPACE	WORKING BODY SIZE	NUMBER OF BLADE PER ROW UNIT	WORKING DEPTH	TRANSPORT WIDTH	MINIMUM WEIGHT	POWER REQUIREMENT		POLYTHEN FERTILIZER HOPPER	METAL OR INOX FERTILIZER HOPPER
								hp	kW		
	pcs	cm	cm		cm	cm		hp	kW	lt	lt
ACM-SFK7	5 COMPLETE 2 HALF ROW UNIT	70/75	50 CM	16	10 CM	300 CM	1260 KG	80-100	60-74	-	-

TECHNICAL SPECIFICATIONS

MODELS	NO OF ROW UNITS	ROW SPACE	WORKING BODY SIZE	NUMBER OF BLADE PER ROW UNIT	WORKING DEPTH	TRANSPORT WIDTH	MINIMUM WEIGHT	POWER REQUIREMENT		POLYTHEN FERTILIZER HOPPER	METAL OR INOX FERTILIZER HOPPER
								hp	kW		
	pcs	cm	cm	pcs	cm	cm	kg			lt	lt
ACM-SF3	3 COMPLETE ROW UNIT	70/75	50 CM	16	10 CM	300 CM	690 KG	30-60	22-45	-	-
ACM-SF5	3 COMPLETE 2 HALF ROW UNIT	70	50 CM	16	10 CM	330 CM	835 KG	50-70	37-52	-	-
ACM-SFG5	3 COMPLETE 2 HALF ROW UNIT	70	50 CM	16	10 CM	330 CM	1020 KG	60-80	45-60	180 LT X 2	200 LT X 2
ACM-SF5	3 COMPLETE 2 HALF ROW UNIT	75	50 CM	16	10 CM	330 CM	835 KG	50-70	37-52	-	-
ACM-SFG5	3 COMPLETE 2 HALF ROW UNIT	75	50 CM	16	10 CM	330 CM	1020 KG	60-80	45-60	180 LT X 2	200 LT X 2
ACM-SF5	5 COMPLETE ROW UNIT	75	50 CM	16	10 CM	330 CM	880 KG	50-70	37-52	-	-
ACM-SFG5	5 COMPLETE ROW UNIT	75	50 CM	16	10 CM	330 CM	1060 KG	60-80	45-60	230 LT X 2	250 LT X 2
ACM-SF5	3 COMPLETE 2 HALF ROW UNIT	90	70 CM	24	10 CM	380 CM	940 KG	60-80	45-60	-	-
ACM-SFG5	3 COMPLETE 2 HALF ROW UNIT	90	70 CM	24	10 CM	380 CM	1170 KG	70-90	52-67	280 LT X 2	400 LT X 2
ACM-SF6	4 COMPLETE 2 HALF ROW UNIT	70 CM	50 CM	16	10 CM	380 CM	920 KG	60-80	45-60	-	-
ACM-SFG6	4 COMPLETE 2 HALF ROW UNIT	70 CM	50 CM	16	10 CM	380 CM	1180 KG	70-90	52-67	230 LT X 2	250 LT X 2
ACM-SF7	5 COMPLETE 2 HALF ROW UNIT	70 CM	50 CM	16	10 CM	440 CM	1100 KG	70-90	52-67	-	-
ACM-SFG7	5 COMPLETE 2 HALF ROW UNIT	70 CM	50 CM	16	10 CM	440 CM	1320 KG	80-100	60-75	280 LT X 2	400 LT X 2
ACM-SF7	5 COMPLETE 2 HALF ROW UNIT	75 CM	50 CM	16	10 CM	480 CM	1100 KG	70-90	52-67	-	-
ACM-SFG7	5 COMPLETE 2 HALF ROW UNIT	75 CM	50 CM	16	10 CM	480 CM	1320 KG	80-100	60-75	280 LT X 2	400 LT X 2

MODEL	NUMBER OF STARS	FRAME	ROW SPACE	WORKING WIDTH	TRANSPORT WIDTH	MINIMUM WEIGHT
	pcs		cm	cm	cm	kg
ROTOKUL-300	32	RIGID	9	300	300	900
ROTOKUL-420	47	FOLDABLE	9	420	300	1350
ROTOKUL-620	67	FOLDABLE	9	620	300	1685

özdoğan



ozdoken.com.tr

Horozluhan Osb Mahallesi Bayrampaşa Caddesi
Güvençli Sokak No: 5 Selçuklu/KONYA

+90 332 251 67 20

+90 332 249 09 86

info@ozdoken.com.tr

V2.0 - 10.2022

özdoğan