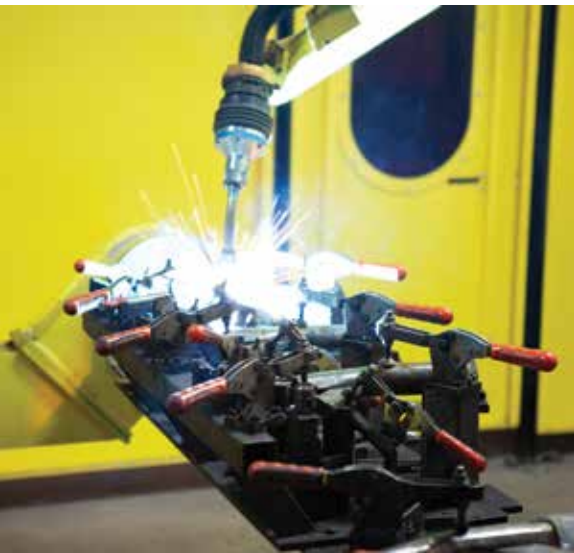




özdöken

PRECISION PLANTERS



ABOUT US

ÖZDÖKEN

Modern agriculture demands faster,easier and efficient agricultural equipments. Therefore,our ambition is to develop innovative equipments that will give chance to prepare the fields at the right time or seed on perfect conditions for maximum yield,while farmers save time,energy and money.

We will continue to be a trustable partner of our customers, and always keeping up with technology and continue to produce better ones.

OUR FACTORY

Ozdoken Agriculture which is founded in 1976, is specialized on agricultural equipments especially seeding and tillage equipments in Turkey.

Our aim always to produce better machines in 4 production plants with 180 employees and computer controlled CNC machines, laser cutting technologies, robotic welding and high quality wet painting system.

FIGURES

- 4 production plants
- 60.000 square meter total area, 40.000 square meter closed area
- 40 years experience on market
- 30% Turnover from Abroad
- 180 employees
- 5.000 machines produced in 2014



06	PRODUCT RANGE
08	DOUBLE DISC TYPE ROW UNITS - COULTER TYPE ROW UNITS
10	DISTRIBUTION -MOVEMENT WHEELS - GEARBOX - FAN
12	FERTILIZER HOPPERS - OPTIONAL HOPPERS - MICROGRANULATOR - FERTILIZER OPENERS
14 VPHE	COULTER TYPE - FIXED FRAME
15 VPHE-D	DOUBLE DISC TYPE ROW UNIT - FIXED FRAME
16 VPYT	COULTER TYPE ROW UNIT - SINGLE TELESCOPIC FRAME - 340 CM TRANSPORT WIDTH
17 VPYT-D	DOUBLE DISC TYPE ROW UNIT - SINGLE TELESCOPIC FRAME - 340 CM TRANSPORT WIDTH
18 VPYT-D300	DOUBLE DISC TYPE ROW UNIT - DOUBLE TELESCOPIC FRAME - 300 CM TRANSPORT WIDTH
19 VPTT	COULTER TYPE ROW UNIT - FIXED FRAME WITH - ADJUSTABLE TELESCOPIC FRAME
20 VPTT-D	DOUBLE DISC TYPE ROW UNIT - FIXED FRAME WITH ADJUSTABLE TELESCOPIC FRAME
21 VPKT-D	DOUBLE DISC ROW UNIT - ADJUSTABLE TELESCOPIC FRAME - 300 CM TRANSPORT WIDTH
22 OKTOPUS-D	DOUBLE DISC ROW UNITS - FOLDABLE FRAME - 300 CM TRANSPORT WIDTH
23	ACCESSORIES
25	TECHNICAL SPECIFICATIONS



özdöken

INDEX

PRODUCT RANGE



VPHE



VPHE-D

FIXED FRAME



VPYT



VPYT-D

SINGLE TELESCOPIC FRAME - 340 CM TRANSPORT WIDTH



VPYT-D300

DOUBLE TELESCOPIC FRAME - 300 CM TRANSPORT WIDTH

PRODUCT RANGE



VPTT



VPTT-D

ADJUSTABLE TELESCOPIC FRAME



VPKT-D

ADJUSTABLE TELESCOPIC FRAME 300 CM TRANSPORT WIDTH



OKTOPUS

FOLDABLE FRAME - 300 CM TRANSPORT WIDTH

DOUBLE DISC TYPE ROW UNITS



• Double disc row units allows to use higher speed even on uneven soil conditions. Thanks to double rubber depth control wheels, seeding depth is always constant.



SEED HOPPER

40 Lt High Resistance Polythen Hopper



CARDAN SHAFT DRIVE

Cardan shaft is reliable and precise movement system and it's maintenance free.



PARALLEL LINKAGE

Parallel linkage is mounted on replaceable metallic bushes. Adjustable down pressure spring is standart.



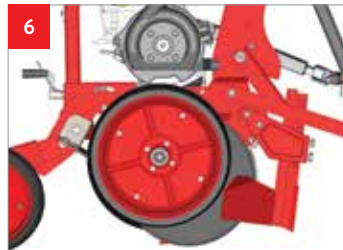
DOUBLE REAR PRESS WHEEL

The closing wheels that close seed lines and it's easy to adjust pressure on the soil.



DEPTH ADJUSTMENT

Depth adjustment from 1 to 10 cm due to rubber gauge wheels allows to seed precisely on uneven field conditions.



SEED OPENER

The planting system has 380 mm diameter discs which mounted on sealed ball bearings. Depth adjustment is constant with the help of cast iron inner shoe in all conditions.



CLOD REMOVER

The adjustable clod remover cleans dry soil and clods in front of the row units.

COULTER TYPE ROW UNITS



• Coulters type row unit is suitable for well prepared soils without crop residues.



1
SEED HOPPER

40 Lt High Resistance Polythen Hopper



2
CARDAN SHAFT DRIVE

Cardan shaft is reliable and precise movement system and it's maintenance free.



3
PARALLEL LINKAGE

Parallel linkage is mounted on replaceable metallic bushes. Adjustable down pressure spring is standart.



4
SOIL CLOSERS (STANDARD)

Standart Soil Closer



5
DEPTH ADJUSTMENT

Working depth adjustment is possible from 1 to 10 cm from the wheel adjuster.



6
COULTERS

There are 2 types coulters according to seed size. Coulters made by "nihad cast iron" which has 3 times long life than regular cast iron.



7
REAR PRESS WHEEL

500X175 rubber press wheel is standart on coulters type row units.



SHORT TYPE SOIL CLOSER (OPTIONAL)

For some hard conditions, there is an optional short type soil closer.



8

CLOD REMOVER

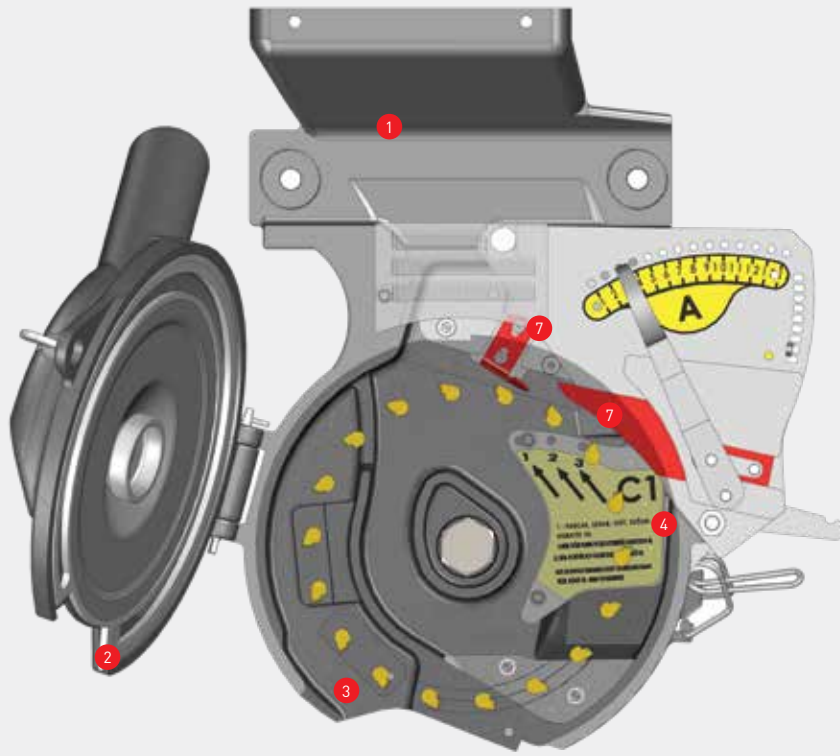
The adjustable clod remover cleans dry soil and clods in front of the row units.



ROW UNITS SUGAR BEET

For small seeds, especially sugar beet, there is front press wheel for perfect seed bed preparation.

DISTRIBUTION



1
ALUMINIUM BODY

The metering box is made from aluminium with injection technology which is resistant to external factors.



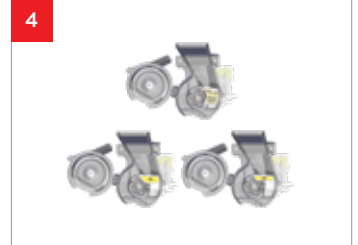
2
TEFLON SEAL

Teflon gasket provide permanent contact with the seeding disc.



3
SEEDING DISCS

Seeding discs made from high quality stainless steel. Holes on seeding discs have smooth surface to prevent damages on seeds. Discs are easily interchangeable.



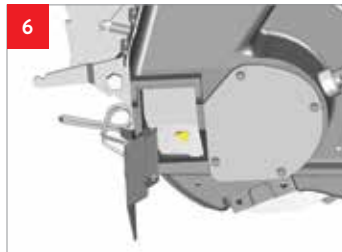
4
SEED FLOW PLATES

According to seed type , there are three types of seed flow plates prevent seed breaks because of seed overloading on seed meter.
C1 : Maize, Sugarbeet, Soya e.t.c.
C2 : Small Size sunflower
C3 : Big size sunflower and pumpkin



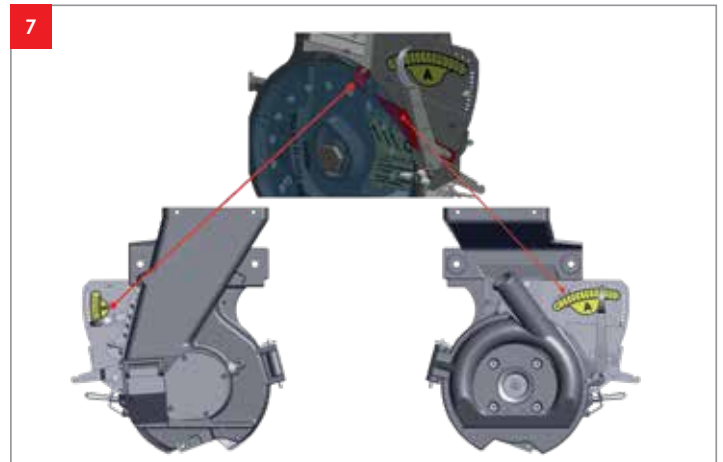
5
CONTROL WINDOW

Control window has easy open-closed system. Large visible window allows to see seeds easily after singulation.



6
EMPTYING GATE

Emptying system has easy access.



7
EASY DOUBLE SINGULATORS

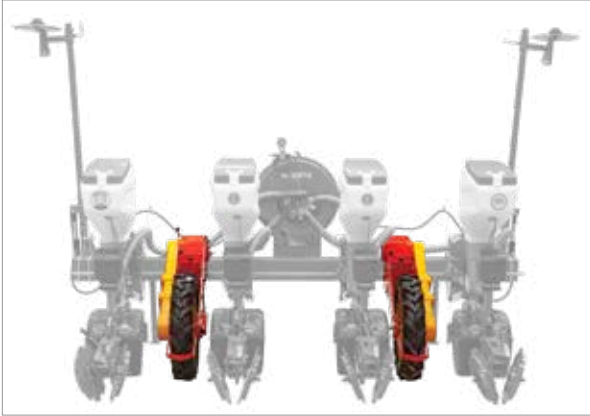


For perfect singulation for all kind of seeds on all row units ,selectors can be adjusted from the outside of the distributor by a metering scale.

PATENTED ✓

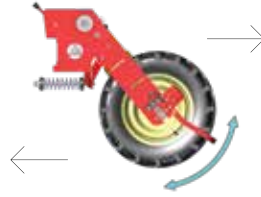
MOVEMENT WHEELS

According to frame type and fertilizer hopper size , there are 3 different movement wheels types.

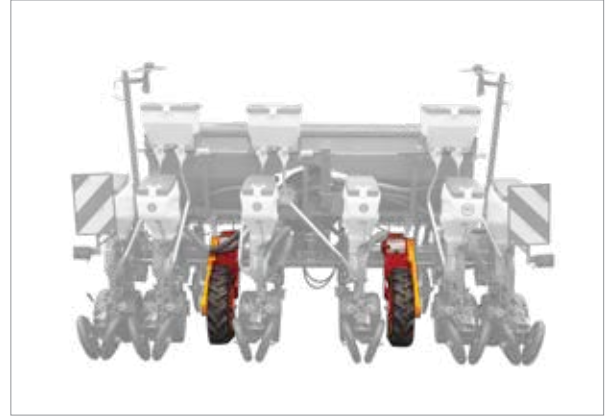


5.00X15 TYRE STANDART ON;

- FIXED FRAME PLANTERS UNTIL 6 ROWS
- SINGLE TELESCOPIC FRAME PLANTERS WITH STANDART FERTILIZER HOPPER



The standart wheel system has continuous contact on the ground which reduce the stress of the row units on the ground.



6.50/80-15 TYRE STANDART ON ;

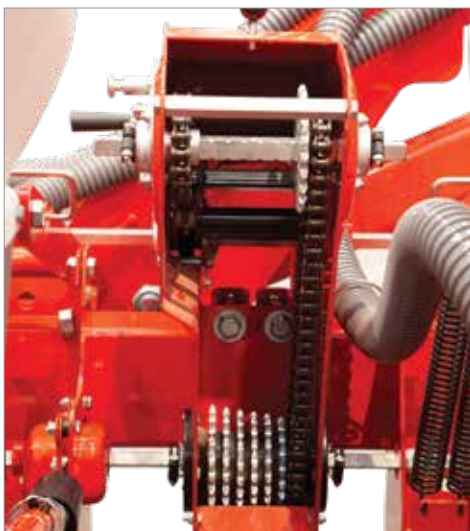
- 6 ROWS FIXED FRAME PLANTERS WITH JUMBO FERTILIZER HOPPER
- SINGLE TELESCOPIC FRAME PLANTERS WITH JUMBO FERTILIZER HOPPER
- DOUBLE TELESCOPIC FRAME PLANTERS



23.5/10.50-12 TYRE STANDART ON;

- FIXED FRAME PLANTERS WITH FRONT WHEEL
- SINGLE TELESCOPIC FRAME PLANTERS WITH FRONT WHEEL
- FIXED FRAME WITH ADJUSTABLE TELESCOPIC FRAME
- ADJUSTABLE TELESCOPIC FRAME – 300 CM TRANSPORT WIDTH
- FOLDABLE FRAME – 300 CM TRANSPORT WIDTH

GEARBOX



SEED DISTANCE ON THE LINE

It's easy to configurate seed spacing with mechanical gearbox.For precise seeding,gearbox is connected to row units with the best and security way.

- GEARBOX FOR FRONT WHEEL VERSIONS
- GEARBOX FOR END WHEEL VERSIONS

FAN



Vacuum system has to be reliable while on working.Our fan system drive PTO shaft on 540 rpm and it is reliable even on high work hours and it's quiet for user comfort.

FERTILIZER HOPPERS

STANDART POLYTHEN FERTILIZER HOPPERS



Polythen rustproof hoppers are standart.

OPTIONAL METAL FERTILIZER HOPPER



Available to choose durable metal painted hoppers.



How Its Work ?

Fertilizer dosage system is designed especially for easy adjustment and simple access to points. Just adjust flow rate(b) according to output that you would like and it's ready to use. Fluted rollers(a) is made by aliminium to protect from corrosion.

OPTIONAL HOPPERS

POLYTHEN JUMBO HOPPER



JUMBO METAL HOPPER



JUMBO INOX HOPPER



For bigger fields, bigger hopper. Available on plastic*, metal or stainless steel.

MICROGRANULATOR



FERTILIZER OPENERS



COULTER TYPE

Standart couler type fertilizer units.



DISC TYPE

Disc type is optional on disc type row units and it's especially suitable for low-till conditions.

MODELS	FERTILIZER HOPPERS						FERTILIZER UNITS	
	POLYTHEN HOPPER	METAL HOPPER	INOX HOPPER	JUMBO POLYTHEN HOPPER	JUMBO METAL FERTILIZER HOPPER	JUMBO INOX FERTILIZER HOPPER	COULTER TYPE	DISC TYPE
VPHE	STANDART	OPTIONAL	OPTIONAL	-	OPTIONAL (ONLY FOR 4 and 6 ROWS)	OPTIONAL (ONLY FOR 4 and 6 ROWS)	STANDART	-
VPHE-D	STANDART	OPTIONAL	OPTIONAL	-	OPTIONAL (ONLY FOR 4 and 6 ROWS)	OPTIONAL (ONLY FOR 4 and 6 ROWS)	STANDART	OPTIONAL
VPYT	STANDART	OPTIONAL	OPTIONAL	-	OPTIONAL (ONLY FOR 6 ROWS)	OPTIONAL (ONLY FOR 6 ROWS)	STANDART	-
VPYT-D	STANDART	OPTIONAL	OPTIONAL	-	OPTIONAL (ONLY FOR 6 ROWS)	OPTIONAL (ONLY FOR 6 ROWS)	STANDART	OPTIONAL
VPYT-D300	-	-	-	-	STANDART	OPTIONAL	STANDART	OPTIONAL
VPPT	STANDART	OPTIONAL	OPTIONAL	-	-	-	STANDART	-
VPPT-D	STANDART	OPTIONAL	OPTIONAL	-	-	-	STANDART	OPTIONAL
VPKT-D	-	-	-	STANDART	OPTIONAL	OPTIONAL	STANDART	OPTIONAL



STANDARDS

- Coulters Type Row Units
- Polythen Fertilizer Hopper.
- Single Hydraulic Row Markers
- Double Hydraulic Row Markers (Only For 8 Rows)
- Coulters Type Fertilizer Opener
- 2 Set Of Seeding Disc
- Pto Shaft (Can Be Chosen Octagonal Or Hexagonal Input)
- Area Counter



STANDARDS

- Double Disc Type Row Units
- Polythen Fertilizer Hopper.
- Single Hydraulic Row Markers
- Double Hydraulic Row Markers (Only For 8 Rows)
- Coulter Type Fertilizer Opener
- 2 Set Of Seeding Disc
- Pto Shaft (Can Be Chosen Octagonal Or Hexagonal Input)
- Area Counter



ROW SPACE
70-75
cm

TRANSPORT
WIDTH
340
cm



STANDARDS

- Coulters Type Row Units
- Polythen Fertilizer Hopper.
- Single Hydraulic Row Markers
- Coulters Type Fertilizer Opener
- 2 Set Of Seeding Disc
- Pto Shaft (Can Be Chosen Octagonal Or Hexagonal Input)
- Area Counter





ROW SPACE
70-75
cm

TRANSPORT
WIDTH
340
cm



STANDARDS

- Double Disc Type Row Units
- Polythen Fertilizer Hopper.
- Single Hydraulic Row Markers
- Coulter Type Fertilizer Opener
- 2 Set Of Seeding Disc
- Pto Shaft (Can Be Chosen Octagonal Or Hexagonal Input)
- Area Counter

VPYT-D300

DOUBLE DISC TYPE ROW UNIT – DOUBLE TELESCOPIC FRAME –
300 CM TRANSPORT WIDTH



6 ROWS
65-70-75
cm

TRANSPORT
WIDTH
6 ROWS
300
cm



8 ROWS
70-75
cm

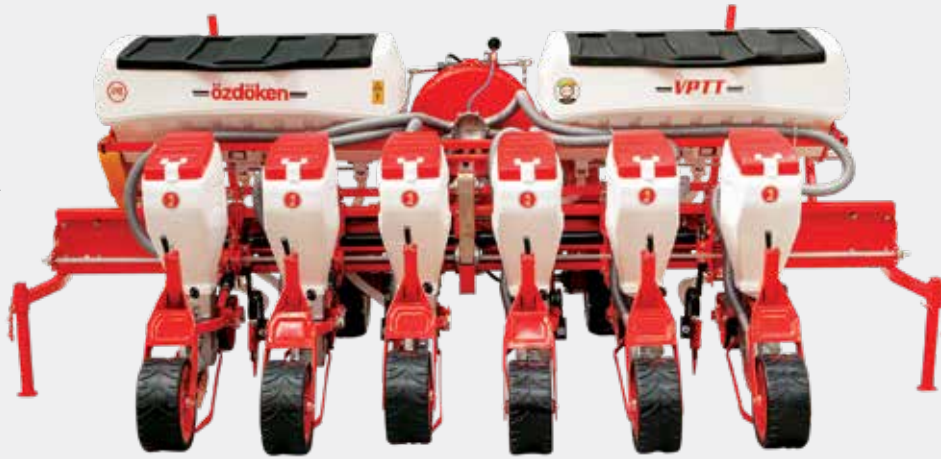
TRANSPORT
WIDTH
8 ROWS
400
cm

STANDARDS

- Double Disc Type Row Units
- Jumbo Metal Fertilizer Hopper
- Double Hydraulic Row Markers
- Coulter Type Fertilizer Opener
- 2 Set Of Seeding Disc
- Pto Shaft (Can Be Chosen Octagonal Or Hexagonal Input)
- Area Counter



4 ROWS
75-95
cm



TRANSPORT
WIDTH
4 ROWS
330
cm

6 ROWS
45-50-55
cm



TRANSPORT
WIDTH
6 ROWS
400
cm

6 ROWS
60-65-70
cm

STANDARDS

- Adjustable Telescopic Frame (75 And 95 Cm Row Space For 4 Rows)
- Adjustable Telescopic Frame (45,50,55,60,65,70 Cm Row Space For 6 Rows)
- Coulter Type Row Units
- Polythen Fertilizer Hopper
- Single Hydraulic Row Markers
- Coulter Type Fertilizer Opener
- 3 Set Of Seeding Disc
- Pto Shaft (Can Be Chosen Octagonal Or Hexagonal Input)
- Area Counter



4 ROWS
75-95
cm

6 ROWS
45-50-55
cm

6 ROWS
60-65-70
cm



TRANSPORT
WIDTH
4 ROWS
330
cm

TRANSPORT
WIDTH
6 ROWS
400
cm

STANDARDS

- Adjustable Telescopic Frame (75 And 95 Cm Row Space For 4 Rows)
- Adjustable Telescopic Frame (45,50,55,60,65,70 Cm Row Space For 6 Rows)
- Double Disc Type Row Units
- Polythen Fertilizer Hopper
- Single Hydraulic Row Markers
- Coulter Type Fertilizer Opener
- 3 Set Of Seeding Disc
- Pto Shaft (Can Be Chosen Octagonal Or Hexagonal Input)
- Area Counter





STANDARDS

- Adjustable Telescopic Frame (45,50,55,60,65,70 And 75 Cm Row Space)
- Double Disc Type Row Units
- Jumbo Polythen Fertilizer Hopper
- Double Hydraulic Row Markers
- Coulter Type Fertilizer Opener
- 3 Set Of Seeding Disc
- Pto Shaft (Can Be Chosen Octagonal Or Hexagonal Input)
- Area Counter
- Traffic Kit

TRANSPORT
WIDTH
300
cm

ROW SPACE
45-50
55-60
cm



ROW SPACE
65
70-75
cm



OKTOPUS-D

DOUBLE DISC ROW UNITS - FOLDABLE FRAME -
300 CM TRANSPORT WIDTH



STANDARDS

- Double Disc Type Row Units
- Double Hydraulic Row Markers
- 2 Set Of Seeding Disc
- Pto Shaft (Can Be Chosen Octagonal Or Hexagonal Input)
- Area Counter
- Traffic Kit

8 ROWS

50

cm

8 ROWS

70-75-80

cm

9 ROWS

65

cm

12 ROWS

50

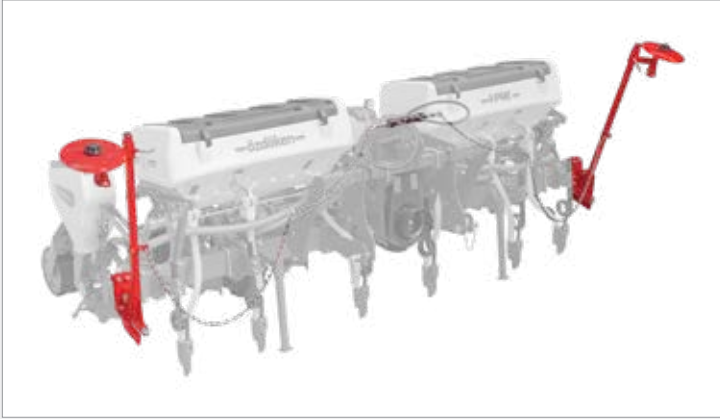
cm



TRANSPORT
WIDTH

300
cm

ACCESSORIES



SINGLE HYDRAULIC ROW MARKER

In standart,All models have single hydraulic row marker.



DOUBLE HYDRAULIC ROW MARKER

Double hydraulic row marker is a good choice if there are some obstacle on fields.



METAL SEED PRESS WHEEL

The press wheel stops the seed at the seeds come to into good contact with the soil.



RUBBER SEED PRESS WHEEL

The press wheel stops the seed at the seeds come to into good contact with the soil.



TRAFFIC KIT

Traffic kit creates higher visibility with better security.

ACCESSORIES



AREA COUNTER

Area counter is standart in all models.



TRASH WHEELS

Trash wheels can be mounted instead of clod remover.



TURBO DISC



SEED CONTROLLER DMS-08 SERIES

- Photosensored seed monitoring up to 8 rows
 - Total and partial hectare count
 - Automatic system diagnostic
 - Audible and visual blockage alarm
- 6 selectable thresholds for missing seed alarms
- Seed size selection for refined seed detection



SEED CONTROLLER - SEED MASTER PLUS SERIES

- Photosensored seeding control up to 16 rows
 - Automatic system test (number of photosensors, sensor cleaning alarm)
 - 3 seeding control modes: – seeding - not seeding, blockage alarm
 - actual seed per ha values, visible bar graph display for each seeding row
 - 100 seed test: skips and doubles statistics for 100 seeded grains in each row
 - Row number display and sound blockage alarm
 - 6 selectable thresholds for missing seed alarms
 - Freeze of actual seeding display
 - Adjustable seed size for refined seed detection
 - Row skip function for rows not in use
 - Option for setting different seed spacings (e.g. corn hybrids)
 - Area count, seed count, average seed/



SEED CONTROLLER TS SERIES

- Seeding Control - Visually and Audibly Alarm
 - Seeding Speed
 - Area Counter

TECHNICAL SPECIFICATIONS

VPHE SERIES - END WHEEL VERSION

MODEL	NO OF ROW UNITS	ROW SPACE	TRANSPORT WIDTH	MINIMUM WEIGHT	MOVEMENT TYRE	POLYTHEN FERTILIZER HOPPER	METAL OR INOX FERTILIZER HOPPER	JUMBO PLASTIC HOPPER	JUMBO METAL FERTILIZER HOPPER
	pcs	cm	cm	kg		lt	lt	lt	lt
VPHE-2	2	70-75	100	385	5.00X15	-	-	-	-
VPHE-G2	2	70-75	100	460	5.00X15	180 LT X 1	200 LT X 2	-	-
VPHE-3	3	150	300	630	5.00X15	-	-	-	-
VPHE-G3	3	150	300	800	5.00X15	180 LT X 2	200 LT X 2	-	-
VPHE-4	4	70-75 / 90	300	670	5.00X15	-	-	-	-
VPHE-G4	4	70-75 / 90	300	880	5.00X15	180 LT X 2	200 LT X 2	750 LT X 1	1000 LT X 1
VPHE-5	5	45-50 / 70-75	300 / 350	750	5.00X15	-	-	-	-
VPHE-G5	5	45-50 / 70-75	300 / 350	1055	5.00X15	180 LT X 2	200 LT X 2	-	1000 LT X 1
VPHE-6	6	45-50 / 70-75	350 / 420	765	5.00X15	-	-	-	-
VPHE-G6	6	45-50 / 70-75	350 / 420	1100	5.00X15	230 LT X 2	250 LT X 2	-	-
VPHE-G6	6	70-75	420	1185	6.50/80-15	-	-	-	1000 LT X 1
VPHE-8	8	70	560	965	6.50/80-15	-	-	-	-
VPHE-G8	8	70	560	1425	6.50/80-15	280 LT X 2	400 LT X 2	-	700 LT X 2

VPHE SERIES - FRONT WHEEL VERSION

MODEL	NO OF ROW UNITS	ROW SPACE	TRANSPORT WIDTH	MINIMUM WEIGHT	MOVEMENT TYRE	POLYTHEN FERTILIZER HOPPER	METAL OR INOX FERTILIZER HOPPER	JUMBO PLASTIC HOPPER	JUMBO METAL FERTILIZER HOPPER
	pcs	cm	cm	kg		lt	lt	lt	lt
VPHE-4	4	70-75	300	750	23.5/10.50-12	-	-	-	-
VPHE-G4	4	70-75	300	920	23.5/10.50-12	180 LT X 2	200 LT X 2	750 LT X 1	1000 LT X 1
VPHE-5	5	55-65	300	820	23.5/10.50-12	-	-	-	-
VPHE-6	6	45-50-65	350 / 420	840	23.5/10.50-12	-	-	-	-
VPHE-G6	6	45-50-65	350 / 420	1150	23.5/10.50-12	180 LT X 2	200 LT X 2	-	-
VPHE-7	7	45-50	350	940	23.5/10.50-12	-	-	-	-
VPHE-9	9	50	450	1100	23.5/10.50-12	-	-	-	-
VPHE-12	12	45-50	560	1600	23.5/10.50-12	-	-	-	-

VPHE-D SERIES - END WHEEL VERSION

MODEL	NO OF ROW UNITS	ROW SPACE	TRANSPORT WIDTH	MINIMUM WEIGHT	MOVEMENT TYRE	POLYTHEN FERTILIZER HOPPER	METAL OR INOX FERTILIZER HOPPER	JUMBO PLASTIC HOPPER	JUMBO METAL FERTILIZER HOPPER
	pcs	cm	cm	kg		lt	lt	lt	lt
VPHE-D2	2	70-75	100	435	5.00X15	-	-	-	-
VPHE-DG2	2	70-75	100	550	5.00X15	180 LT X 1	200 LT X 2	-	-
VPHE-D3	3	150	300	765	5.00X15	-	-	-	-
VPHE-DG3	3	150	300	900	5.00X15	180 LT X 2	200 LT X 2	-	-
VPHE-D4	4	70-75 / 90	300	780	5.00X15	-	-	-	-
VPHE-DG4	4	70-75 / 90	300	970	5.00X15	180 LT X 2	200 LT X 2	750 LT X 1	1000 LT X 1
VPHE-D5	5	45-50 / 70-75	300 / 350	920	5.00X15	-	-	-	-
VPHE-DG5	5	45-50 / 70-75	300 / 350	1150	5.00X15	180 LT X 2	200 LT X 2	-	1000 LT X 1
VPHE-D6	6	45-50 / 70-75	350 / 420	1160	5.00X15	-	-	-	-
VPHE-DG6	6	45-50 / 70-75	350 / 420	1320	5.00X15	230 LT X 2	250 LT X 2	-	-
VPHE-DG6	6	70-75	420	1490	6.50/80-15	-	-	-	1000 LT X 1
VPHE-D8	8	70	560	1430	6.50/80-15	-	-	-	-
VPHE-DG8	8	70	560	1890	6.50/80-15	280 LT X 2	400 LT X 2	-	700 LT X 2

TECHNICAL SPECIFICATIONS

VPHE-D SERIES - FRONT WHEEL VERSION

MODEL	NO OF ROW UNITS	ROW SPACE	TRANSPORT WIDTH	MINIMUM WEIGHT	MOVEMENT TYRE	POLYTHEN FERTILIZER HOPPER	METAL OR INOX FERTILIZER HOPPER	JUMBO PLASTIC HOPPER	JUMBO METAL FERTILIZER HOPPER
	pcs	cm	cm	kg		lt	lt	lt	lt
VPHE-D4	4	70-75	300	800	23.5/10.50-12	-	-	-	-
VPHE-DG4	4	70-75	300	920	23.5/10.50-12	180 LT X 2	200 LT X 2	750 LT X 1	1000 LT X 1
VPHE-D5	5	55-65	300	1000	23.5/10.50-12	-	-	-	-
VPHE-D6	6	45-50-65	350 / 420	1060	23.5/10.50-12	-	-	-	-
VPHE-DG6	6	45-50-65	350 / 420	1400	23.5/10.50-12	180 LT X 2	200 LT X 2	-	-
VPHE-D7	7	45-50	350	1250	23.5/10.50-12	-	-	-	-
VPHE-D9	9	50	450	1725	23.5/10.50-12	-	-	-	-
VPHE-D12	12	45-50	560	2050	23.5/10.50-12	-	-	-	-

VPYT SERIES - END WHEEL VERSION

MODEL	NO OF ROW UNITS	ROW SPACE	TRANSPORT WIDTH	MINIMUM WEIGHT	MOVEMENT TYRE	POLYTHEN FERTILIZER HOPPER	METAL OR INOX FERTILIZER HOPPER	JUMBO PLASTIC HOPPER	JUMBO METAL FERTILIZER HOPPER
	pcs	cm	cm	kg		lt	lt	lt	lt
VPYT-6	6	70-75	340	890 KG	5.00X15	-	-	-	-
VPYT-G6	6	70-75	340	1160 KG	5.00X15	180 LT X 2	200 LT X 2	-	-
VPYT-G6	6	70-75	340	1260 KG	6.50/80-15	-	-	-	1000 LT X 1

VPYT SERIES - FRONT WHEEL VERSION

MODEL	NO OF ROW UNITS	ROW SPACE	TRANSPORT WIDTH	MINIMUM WEIGHT	MOVEMENT TYRE	POLYTHEN FERTILIZER HOPPER	METAL OR INOX FERTILIZER HOPPER	JUMBO PLASTIC HOPPER	JUMBO METAL FERTILIZER HOPPER
	pcs	cm	cm	kg		lt	lt	lt	lt
VPYT-6	6	70-75	340	970 KG	23.5/10.50-12	-	-	-	-
VPYT-7	7	50	340	1040 KG	23.5/10.50-12	-	-	-	-
VPYT-G6	6	70-75	340	1240 KG	23.5/10.50-12	180 LT X 2	200 LT X 2	-	1000 LT X 1
VPYT-G6	6	70-75	340	1380 KG	23.5/10.50-12	-	-	-	-

VPYT-D SERIES - END WHEEL VERSION

MODEL	NO OF ROW UNITS	ROW SPACE	TRANSPORT WIDTH	MINIMUM WEIGHT	MOVEMENT TYRE	POLYTHEN FERTILIZER HOPPER	METAL OR INOX FERTILIZER HOPPER	JUMBO PLASTIC HOPPER	JUMBO METAL FERTILIZER HOPPER
	pcs	cm	cm	kg		lt	lt	lt	lt
VPYT-D6	6	70-75	340	1145 KG	5.00X15	-	-	-	-
VPYT-DG6	6	70-75	340	1440 KG	5.00X15	180 LT X 2	200 LT X 2	-	-
VPYT-DG6	6	70-75	340	1600 KG	6.50/80-15	-	-	-	1000 LT X 1

VPYT-D SERIES - FRONT WHEEL VERSION

MODEL	NO OF ROW UNITS	ROW SPACE	TRANSPORT WIDTH	MINIMUM WEIGHT	MOVEMENT TYRE	POLYTHEN FERTILIZER HOPPER	METAL OR INOX FERTILIZER HOPPER	JUMBO PLASTIC HOPPER	JUMBO METAL FERTILIZER HOPPER
	pcs	cm	cm	kg		lt	lt	lt	lt
VPYT-D6	6	70-75	340	1250 KG	23.5/10.50-12	-	-	-	-
VPYT-D7	7	50	340	1480 KG	23.5/10.50-12	-	-	-	-
VPYT-DG6	6	70-75	340	1550 KG	23.5/10.50-12	180 LT X 2	200 LT X 2	-	1000 LT X 1
VPYT-DG6	6	70-75	340	1710 KG	23.5/10.50-12	-	-	-	1000 LT X 1

VPYT-D300 SERIES - END WHEEL VERSION

MODEL	NO OF ROW UNITS	ROW SPACE	TRANSPORT WIDTH	MINIMUM WEIGHT	MOVEMENT TYRE	POLYTHEN FERTILIZER HOPPER	METAL OR INOX FERTILIZER HOPPER	JUMBO PLASTIC HOPPER	JUMBO METAL FERTILIZER HOPPER
	pcs	cm	cm	kg		lt	lt	lt	lt
VPYT-D306	6	ADJUSTABLE 65-70-75	300	1350 KG	6.50/80-15	-	-	-	-
VPYT-DG306	6	ADJUSTABLE 65-70-75	300	1670 KG	6.50/80-15	-	-	-	1000 LT X 1
VPYT-D308	8	ADJUSTABLE 65-70-75	300	1800 KG	6.50/80-15	-	-	-	-
VPYT-DG308	8	ADJUSTABLE 65-70-75	300	2100 KG	6.50/80-15	-	-	-	-

TECHNICAL SPECIFICATIONS

VPYT-D300 SERIES - FRONT WHEEL VERSION

MODEL	NO OF ROW UNITS	ROW SPACE	TRANSPORT WIDTH	MINIMUM WEIGHT	MOVEMENT TYRE	POLYTHEN FERTILIZER HOPPER	METAL OR INOX FERTILIZER HOPPER	JUMBO PLASTIC HOPPER	JUMBO METAL FERTILIZER HOPPER
	pcs	cm	cm	kg		lt	lt	lt	lt
VPYT-D306	6	ADJUSTABLE 70-75	300	1360 KG	23.5/10.50-12	-	-	-	-
VPYT-D307	8	65	300	1500 KG	23.5/10.50-12	-	-	-	-

VPPT SERIES

MODEL	NO OF ROW UNITS	ROW SPACE	TRANSPORT WIDTH	MINIMUM WEIGHT	MOVEMENT TYRE	POLYTHEN FERTILIZER HOPPER	METAL OR INOX FERTILIZER HOPPER	JUMBO PLASTIC HOPPER	JUMBO METAL FERTILIZER HOPPER
	pcs	cm	cm	kg		lt	lt	lt	lt
VPPT-4	4	ADJUSTABLE 45-50-70	300	920 KG	23.5/10.50-12	-	-	-	-
VPPT-G4	4	ADJUSTABLE 45-50-70	300	1060 KG	23.5/10.50-12	180 LT X 2	200 LT X 2	-	-
VPPT-4	4	ADJUSTABLE 75-95	330	920 KG	23.5/10.50-12	-	-	-	-
VPPT-G4	4	ADJUSTABLE 75-95	330	1060 KG	23.5/10.50-12	180 LT X 2	200 LT X 2	-	-
VPPT-5	5	ADJUSTABLE 45-50-55-60-65-70	320	1000 KG	23.5/10.50-12	-	-	-	-
VPPT-G5	5	ADJUSTABLE 45-50-55-60-65-70	320	1190 KG	23.5/10.50-12	180 LT X 2	200 LT X 2	-	-
VPPT-6	6	ADJUSTABLE 45-50-55-60-65-70	400	1150 KG	23.5/10.50-12	-	-	-	-
VPPT-G6	6	ADJUSTABLE 45-50-55-60-65-70	400	1350 KG	23.5/10.50-12	230 LT X 2	250 LT X 2	-	-

VPPT-D SERIES

MODEL	NO OF ROW UNITS	ROW SPACE	TRANSPORT WIDTH	MINIMUM WEIGHT	MOVEMENT TYRE	POLYTHEN FERTILIZER HOPPER	METAL OR INOX FERTILIZER HOPPER	JUMBO PLASTIC HOPPER	JUMBO METAL FERTILIZER HOPPER
	pcs	cm	cm	kg		lt	lt	lt	lt
VPPT-D4	4	ADJUSTABLE 45-50-70	300	1080 KG	23.5/10.50-12	-	-	-	-
VPPT-DG4	4	ADJUSTABLE 45-50-70	300	1180 KG	23.5/10.50-12	180 LT X 2	200 LT X 2	-	-
VPPT-D4	4	ADJUSTABLE 75-95	330	1080 KG	23.5/10.50-12	-	-	-	-
VPPT-DG4	4	ADJUSTABLE 75-95	330	1180 KG	23.5/10.50-12	180 LT X 2	200 LT X 2	-	-
VPPT-D5	5	ADJUSTABLE 45-50-55-60-65-70	320	1260 KG	23.5/10.50-12	-	-	-	-
VPPT-DG5	5	ADJUSTABLE 45-50-55-60-65-70	320	1400 KG	23.5/10.50-12	180 LT X 2	200 LT X 2	-	-
VPPT-D6	6	ADJUSTABLE 45-50-55-60-65-70	400	1360 KG	23.5/10.50-12	-	-	-	-
VPPT-DG6	6	ADJUSTABLE 45-50-55-60-65-70	400	1520 KG	23.5/10.50-12	230 LT X 2	250 LT X 2	-	-

VPKT-D SERIES

MODEL	NO OF ROW UNITS	ROW SPACE	TRANSPORT WIDTH	MINIMUM WEIGHT	MOVEMENT TYRE	POLYTHEN FERTILIZER HOPPER	METAL OR INOX FERTILIZER HOPPER	JUMBO PLASTIC HOPPER	JUMBO METAL FERTILIZER HOPPER
	pcs	cm	cm	kg		lt	lt	lt	lt
VPKT-D6	6	ADJUSTABLE 45-50-55-60-65-70-75	300	1425	23.5/10.50-12	-	-	-	-
VPKT-DG6	6	ADJUSTABLE 45-50-55-60-65-70-75	300	1720	23.5/10.50-12	-	-	750 LT X 1	800 LT X 1
VPKT-D8	8	ADJUSTABLE 45-50-55-60-65-70-75	300	1770	23.5/10.50-12	-	-	-	-
VPKT-DG8	8	ADJUSTABLE 45-50-55-60-65-70-75	300	2100	23.5/10.50-12	-	-	750 LT X 1	800 LT X 1

OKTOPUS SERIES

MODEL	NO OF ROW UNITS	ROW SPACE	TRANSPORT WIDTH	MINIMUM WEIGHT	MOVEMENT TYRE	POLYTHEN FERTILIZER HOPPER	METAL OR INOX FERTILIZER HOPPER	JUMBO PLASTIC HOPPER	JUMBO METAL FERTILIZER HOPPER
	pcs	cm	cm	kg		lt	lt	lt	lt
OKTOPUS-D8	8	50	300	2000 KG	23.5/10.50-12	-	-	-	-
OKTOPUS-D8	8	70-75-80	300	2000 KG	23.5/10.50-12	-	-	-	-
OKTOPUS-D9	9	65	300	2200 KG	23.5/10.50-12	-	-	-	-
OKTOPUS-D12	12	50	300	2600 KG	23.5/10.50-12	-	-	-	-



özdöken



www.ozdoken.com.tr - info@ozdoken.com.tr



Tel: +90(332) 251 67 20 (pbx) - **Faks:** +90(332) 249 09 86



1. Organize San. Bölgesi Güvençli Sokak NO:5
KONYA / TURKEY